



## COMMERCIAL GAS APPLIANCE RANGEHOOD INTERLOCK

### Specifications Model EGIS 001

Operational Voltage	220 to 240 VAC
Solenoid Voltage	24 VAC
Max Solenoid Current	9 VA
Max Rangehood Current	6 amps Inductive
Fuse Type	100mA M205
Solenoid 24VAC	1/2" BSP female – Max inlet pressure 5kPa



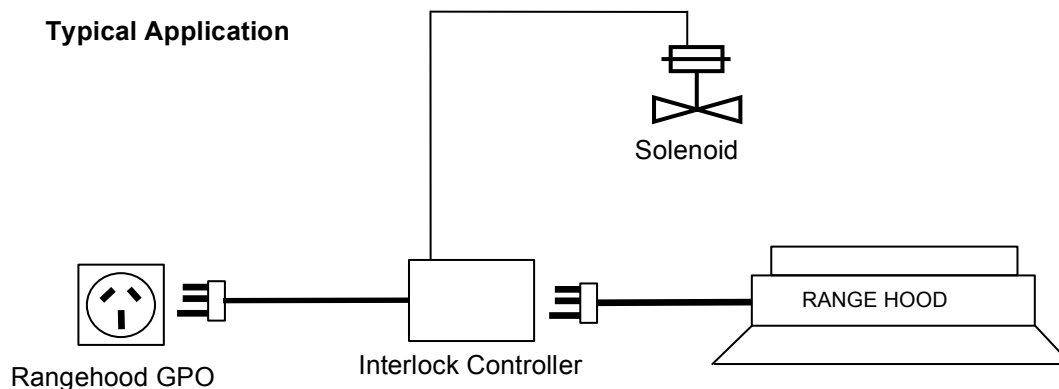
**THIS CONTROLLER IS ONLY SUITABLE FOR USE WITH AN APPROVED COMMERCIAL GAS APPLIANCE THAT HAS A FLAME FAILURE SYSTEM FITTED**

### INTERLOCK CONTROLLER

This controller provides a solution to the Australian Standard requirements when installing an Excelsior range hood above a commercial gas appliance in residential premises. The gas solenoid valve supplied must be installed in the gas supply piping to the gas appliance. Once installed and connected to the controller the solenoid valve will be energised, allowing gas to flow, only when the range hood exhaust fan is running.

Typically this controller would be fitted when a gas barbecue approved for commercial use is installed in a residential alfresco area under an Excelsior range hood.

See the installation example shown below.



## INTERLOCK CONTROLLER WIRING CONNECTION

The controller includes a mains plug and lead and a panel mounted power outlet that require no additional wiring.

Connection to the solenoid valve from the controller is made via the 4 metres of 24V cable and plug supplied. Connect the plug to the controller, extend the cable to the solenoid valve location and connect to the terminations as marked on the solenoid coil.



**ALWAYS ENSURE THE CONTROLLER IS DISCONNECTED FROM THE POWER SUPPLY BEFORE COMMENCING OR DURING ANY WORK ON THE SOLENOID WIRING CONNECTIONS**

## INSTALLATION

Select a suitable location for the controller adjacent to the fixed power outlet that is installed to supply power for the range hood. Fix the controller securely by screwing into place using the 2 fixing holes located at each side of the controller base. Ensure the location allows adequate cooling ventilation for the controller and that adequate clearance to surrounding materials is maintained. Do not cover the controller or solenoid.

The controller is only for use with the solenoid valve supplied **DO NOT USE WITH OTHER SOLENOID VALVES.**

**The solenoid valve must be installed by a licensed gas fitter.**

There are no user serviceable parts inside the controller enclosure. Opening the enclosure will void the warranty. Please contact your supplier for service if required.

### IMPORTANT NOTES:

- **This device is not portable and must be permanently fixed in place.**
- **Always disconnect the controller from the power supply when working on the solenoid wiring connections**
- **Electrical components particularly solenoid coils get hot when in operation, ensure the selected location provides adequate cooling ventilation and will not adversely affect adjacent materials or appliance users.**
- **If the range hood incorporates integral lighting ensure the lighting alone does not activate the Solenoid valve.**
- **Always check that the extract fan in the range hood operates before the solenoid valve is energised.**
- **Contact your supplier for service if required.**

**Excelsior**

[www.gbi.com.au](http://www.gbi.com.au)