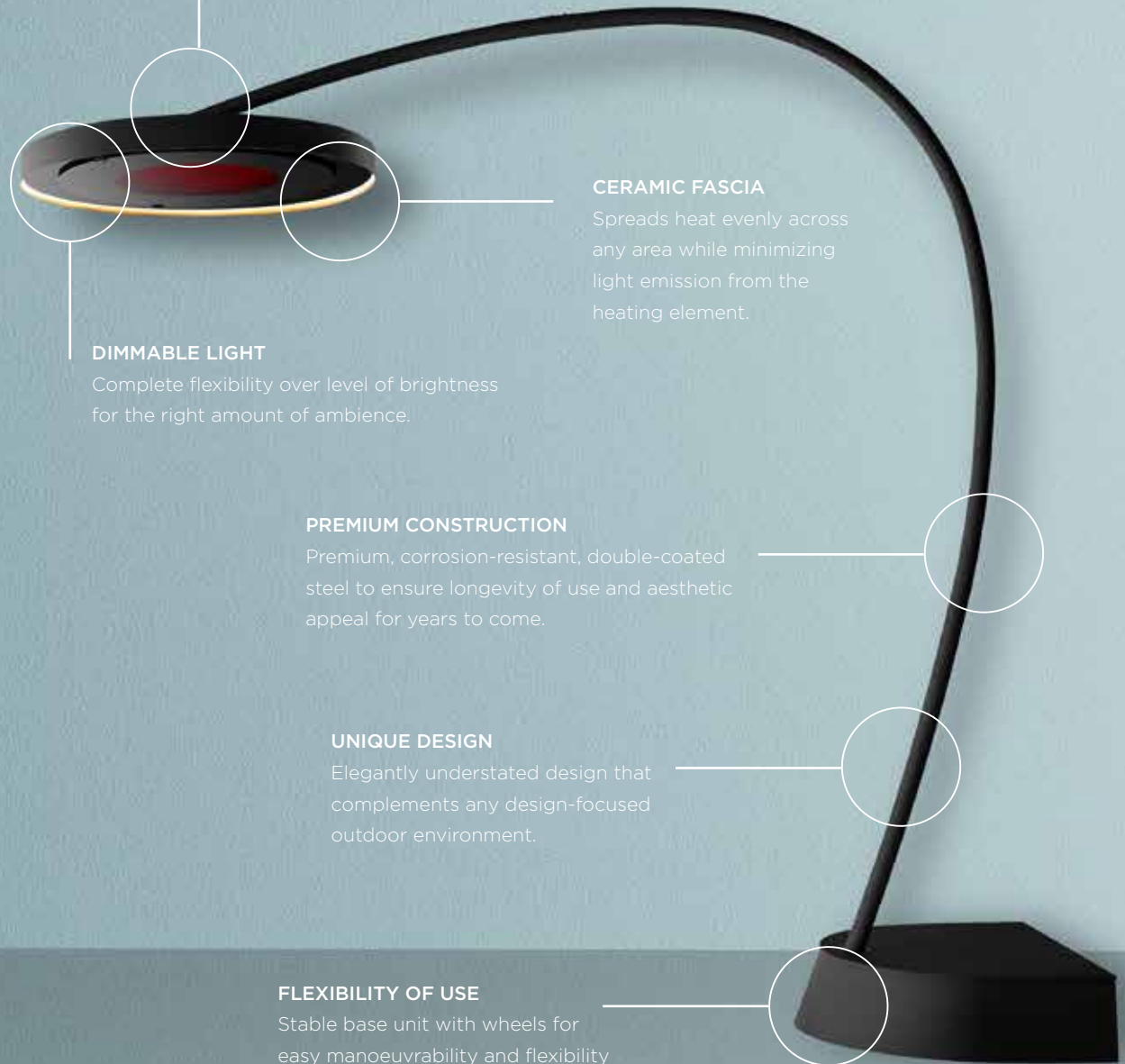


# ECLIPSE SMART-HEAT™ PORTABLE

Dim the lights and turn up the heat with our Eclipse Smart-Heat™ Electric Portable heater. Featuring a striking, elegant design, this powerful heater will bring both warmth and light to design-focused outdoor spaces.

## PRECISE CONTROL

Accurately adjust the heat output (0/33/66/100%) for complete control over the level of comfort.



## DIMMABLE LIGHT

Complete flexibility over level of brightness for the right amount of ambience.

## CERAMIC FASCIA

Spreads heat evenly across any area while minimizing light emission from the heating element.

## PREMIUM CONSTRUCTION

Premium, corrosion-resistant, double-coated steel to ensure longevity of use and aesthetic appeal for years to come.

## UNIQUE DESIGN

Elegantly understated design that complements any design-focused outdoor environment.

## FLEXIBILITY OF USE

Stable base unit with wheels for easy manoeuvrability and flexibility over location.

# SPECIFICATIONS

Reference the specification guide below to help you select the correct solution for your needs.

## MODEL NUMBER

PRODUCT CODE	BH0820011
FUEL TYPE	ELECTRIC (3300W)
COLOR	MATTE BLACK
HEAT AREA	144FT <sup>2</sup>   13M <sup>2</sup>
LED COLOR	WARM WHITE - DIMMABLE
RATED CURRENT & VOLTAGE	12.9 A (220V) / 13.5 A (230V) / 14.1 A(240V)
MINIMUM FLOOR CLEARANCE	79"

## PARTS

FREESTANDING	✓
--------------	---

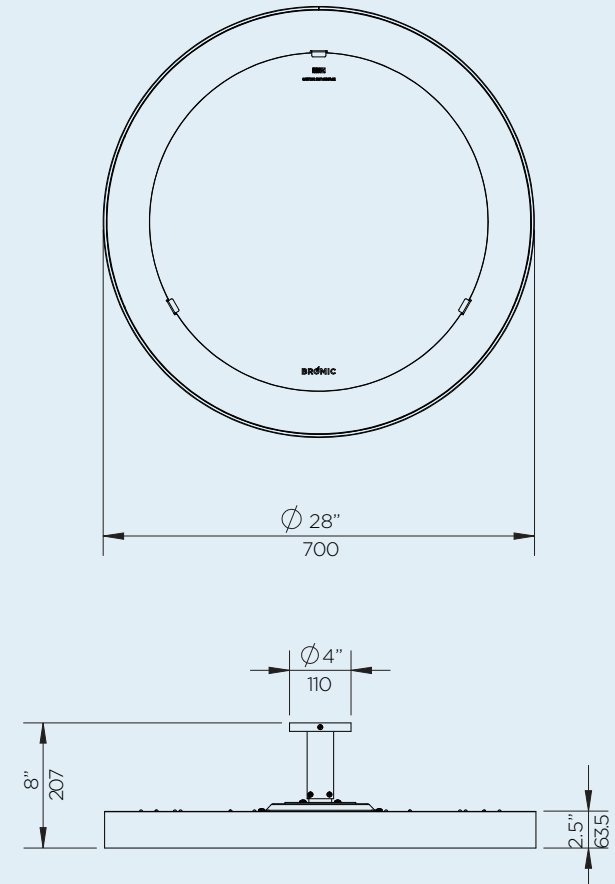
## CONTROL OPTIONS

DIMMER CONTROL	INCLUDED
42 CHANNEL REMOTE	BH3130012 (OPTIONAL)

# DIMENSIONS

With a wide range of sizes available, find the ideal heater to suit your outdoor space.

## PRODUCT MEASUREMENTS



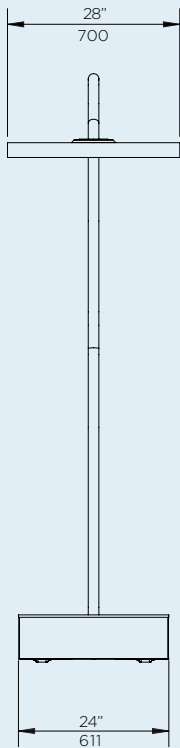
Measurements displayed within this document are minimum requirements for installation. Bromic takes no responsibility for incorrect or non-compliant installations. All measurement in this document are displayed in inches and mm.

# CLEARANCE

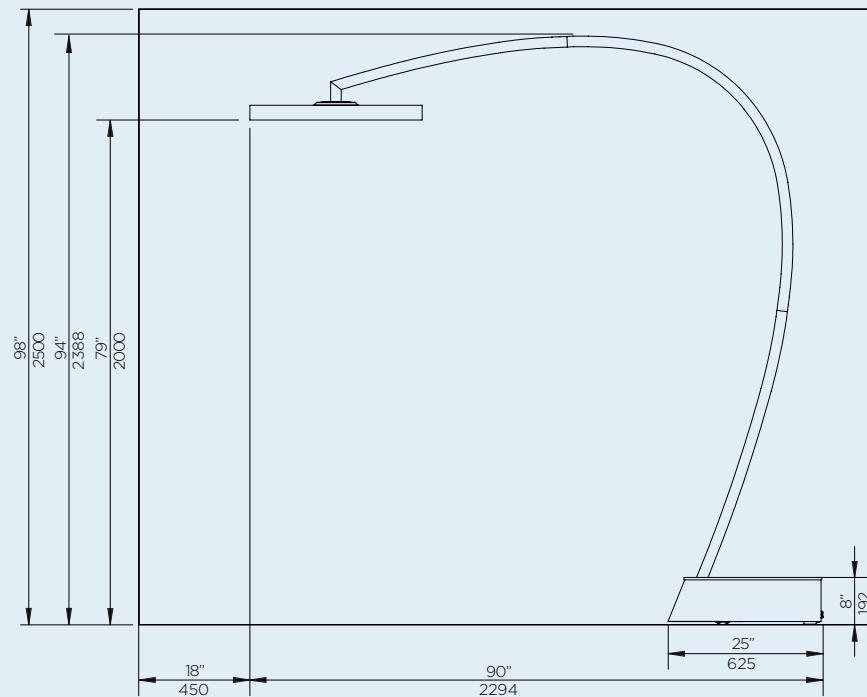
With a wide array of mounting options, Bromic offers solutions to compliment any décor and provide functionality for ambiance and comfort.

## FREESTANDING

FRONT VIEW



CEILING & WALL CLEARANCE



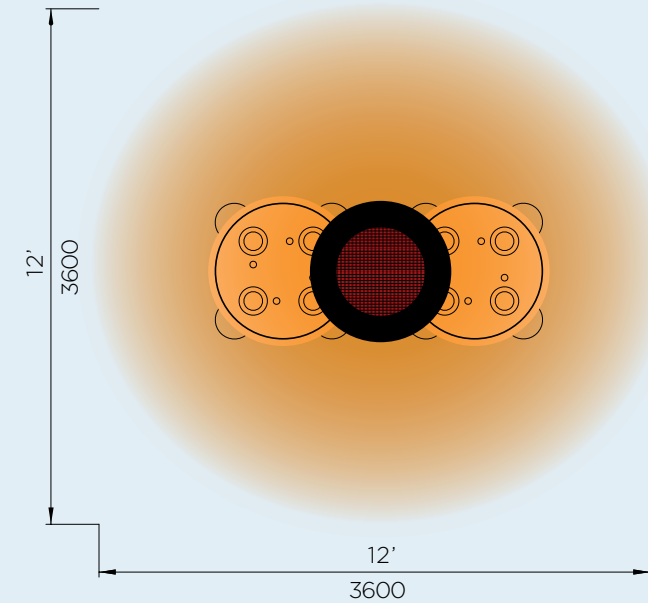
# HEATING REACH

Creating ideal comfort levels, Bromic heaters offer a variety of heat distribution options to suit your outdoor heating needs.

## HEAT AREAS

### 3300W SERIES

HEATING APPROXIMATELY 144FT<sup>2</sup> / 13M<sup>2</sup>  
3300W HEATING POWER



\*HEAT AREA DEPENDENT ON AMBIENT TEMPERATURE AND WIND. OPTIMUM CONDITIONS EXPERIENCED AT APPROX 60°F AND IN A LOW WIND COVERED ENVIRONMENT.





EXTEND YOUR COMFORT OUTDOORS  
WITH THE SUPERIOR HEAT AND  
AWARD-WINNING DESIGN OF OUR  
SMART-HEAT™ OUTDOOR HEATERS.

---

[BROMIC.COM/HEAT](https://BROMIC.COM/HEAT)

ASIA PACIFIC | NORTH AMERICA | EUROPE

Bromic pursues a policy of continuing improvement in design and performance of its products. The right is therefore reserved to vary specifications without notice.

04.2021