

# BUILT-IN LEX 605 GRILL HEAD

WITH INFRARED REAR AND BOTTOM BURNERS

BILEX605RBI STAINLESS STEEL



## FEATURES

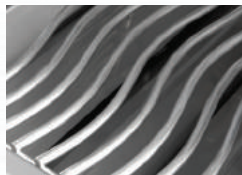
- » 79,500 BTU'S
- » 5 BURNERS
- » 5440 CM<sup>2</sup> TOTAL COOKING AREA



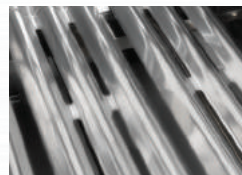
Rear **Infrared Rotisserie** Burner



Infrared **SIZZLE ZONE** Bottom Burner



Stainless Steel **Iconic WAVE** Cooking Grids



Stainless Steel Sear Plates



**i-GLOW** Backlit Technology



**ACCU-PROBE**™ Temperature Gauge



Instant **JETFIRE** Ignition

## OPTIONS / ACCESSORIES



PREMIUM FITTED COVER #61606



CAST IRON CHARCOAL / SMOKER TRAY #67732



PRO STAINLESS STEEL 2 PIECE TOOLSET #70033

# BUILT-IN LEX 605 GRILL HEAD

WITH INFRARED REAR AND BOTTOM BURNERS

BILEX605RBI BLACK

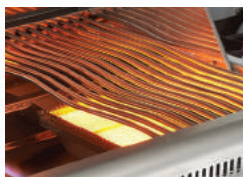


## FEATURES

- » 79,500 BTU'S
- » 5 BURNERS
- » 5440 CM<sup>2</sup> TOTAL COOKING AREA



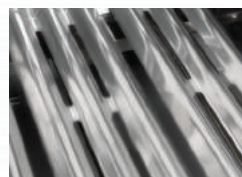
Rear **Infrared Rotisserie** Burner



Infrared **SIZZLE ZONE** Bottom Burner



Porcelainized Cast **Iconic WAVE** Cooking Grids  
Porcelain coated to resist rust, these iconic wave shaped grids provide even heat transfer and a great sear



Stainless Steel Sear Plates



**i-GLOW** Backlit Technology



**ACCU-PROBE**™ Temperature Gauge



Instant **JETFIRE** Ignition

## OPTIONS / ACCESSORIES



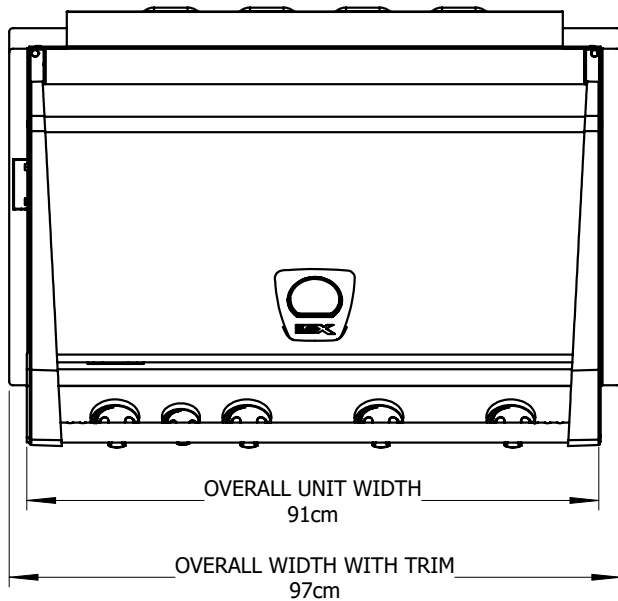
PREMIUM FITTED COVER #61606



CAST IRON CHARCOAL / SMOKER TRAY #67732



PRO STAINLESS STEEL 2 PIECE TOOLSET #70033

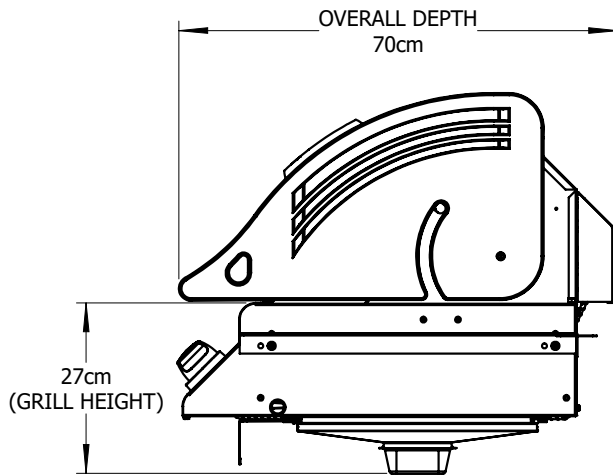
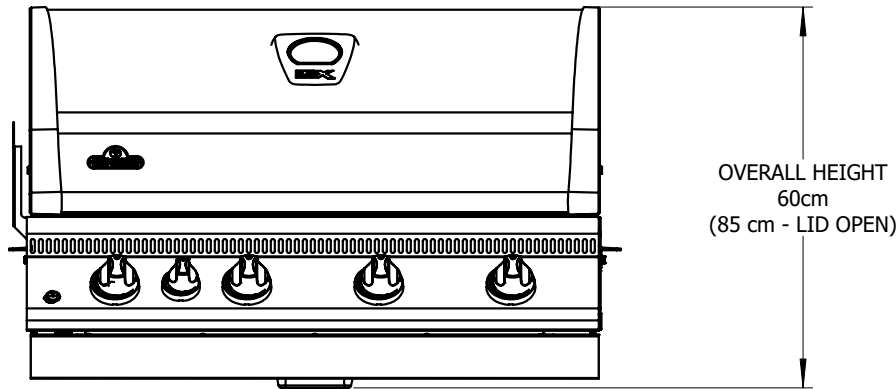


**BILEX605 GRILL**

3 X 17.50 MJ/h FLAME MAIN BURNER  
 1 X 14.50 MJ/h I.R. MAIN BURNER  
 1 X 16.50 MJ/h REAR BURNER

GRILL SIZE: 46 cm X 85 cm = 3910 cm<sup>2</sup>  
 WARMING RACK SIZE: 18 cm X 85 cm = 1530 cm<sup>2</sup>

ALL DIMENSIONS ARE APPROXIMATE



AVAILABLE GASES

PROPANE/BUTANE   
 NATURAL GAS

This drawing is the property of Wolf Steel Ltd. or NAC. It is not to be reproduced nor used in any manner without our consent. All rights are reserved.



UNLESS OTHERWISE NOTED OR DEPICTED ALL DIMENSIONS ARE OUTSIDE IN INCHES ALL SURFACES ARE CONSIDERED CLASS "D"

TOLERANCES:  
 DIMENSIONS ±0.125  
 REFERENCE DIMENSIONS ±0.250  
 RADIUS ±0.062  
 ANGLES ±2°

TITLE: **BILEX605 AUSTRALIA**

MATERIAL:

LBS

MODEL: LEX 605

THICKNESS:

DRAWING: **N620-0134**

ISSUE DATE: **08/12/19**

FINISH:

PROJECT LEAD: S PAYNE CN#: 20287

SCALE: 1:12 SHEET 1 OF 1

DRAWN BY: **IEA**

REVISION: **A** REV DATE: **08/12/19**

REV NOTE: UPDATED DRIP PAN DESIGN

CHECKED BY: **ES**



## BUILT-IN UNIT OPENING DIMENSIONS

MODEL	OPENING DIMENSIONS		
	W	D	H
BILEX485	756mm	543mm	225mm
BILEX605	927mm	543mm	225mm
BILEX730	1099mm	543mm	225mm
SIDE BURNER	324mm	419mm	114mm

