

# BUILT-IN LEX 485 GRILL HEAD

WITH INFRARED REAR AND BOTTOM BURNERS

BILEX485RBI STAINLESS STEEL



## FEATURES

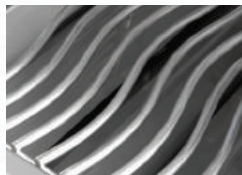
- » 61,500 BTU'S
- » 4 BURNERS
- » 4350 CM<sup>2</sup> TOTAL COOKING AREA



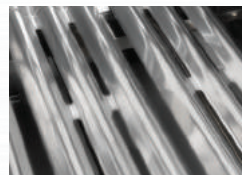
Rear **Infrared Rotisserie** Burner



Infrared **SIZZLE ZONE** Bottom Burner



Stainless Steel **Iconic WAVE** Cooking Grids



Stainless Steel Sear Plates



**i-GLOW** Backlit Technology



**ACCU-PROBE**™ Temperature Gauge



Instant **JETFIRE** Ignition

## OPTIONS / ACCESSORIES



PREMIUM FITTED COVER #61486



CAST IRON CHARCOAL / SMOKER TRAY #67732



PRO STAINLESS STEEL 2 PIECE TOOLSET #70033



# BUILT-IN LEX 485 GRILL HEAD

WITH INFRARED REAR AND BOTTOM BURNERS

BILEX485RBI BLACK

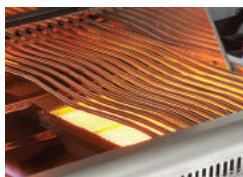


## FEATURES

- » 61,500 BTU'S
- » 4 BURNERS
- » 4350 CM<sup>2</sup> TOTAL COOKING AREA



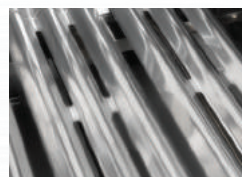
Rear **Infrared Rotisserie** Burner



Infrared **SIZZLE ZONE** Bottom Burner



**Porcelainized Cast Iconic WAVE™ Cooking Grids**  
Porcelain coated to resist rust, these iconic wave shaped grids provide even heat transfer and a great sear



Stainless Steel Sear Plates



**i-GLOW** Backlit Technology



**ACCU-PROBE™** Temperature Gauge



Instant **JETFIRE™** Ignition

## OPTIONS / ACCESSORIES



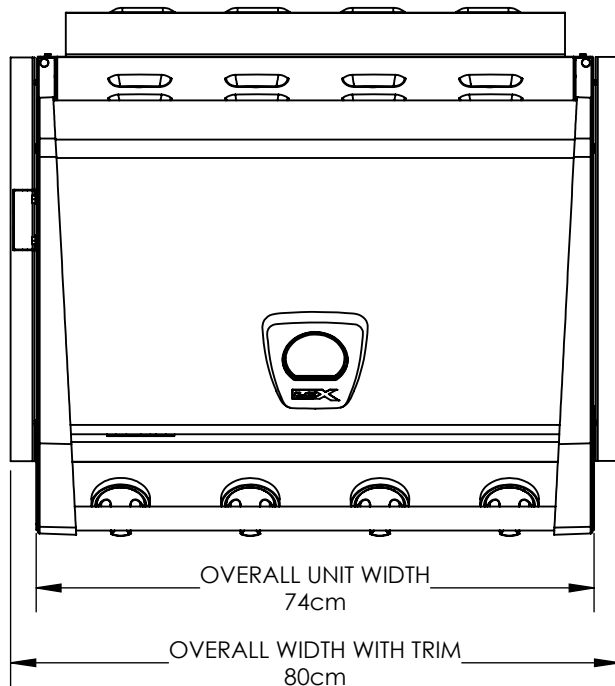
PREMIUM FITTED COVER #61486



CAST IRON CHARCOAL / SMOKER TRAY #67732



PRO STAINLESS STEEL 2 PIECE TOOLSET #70033

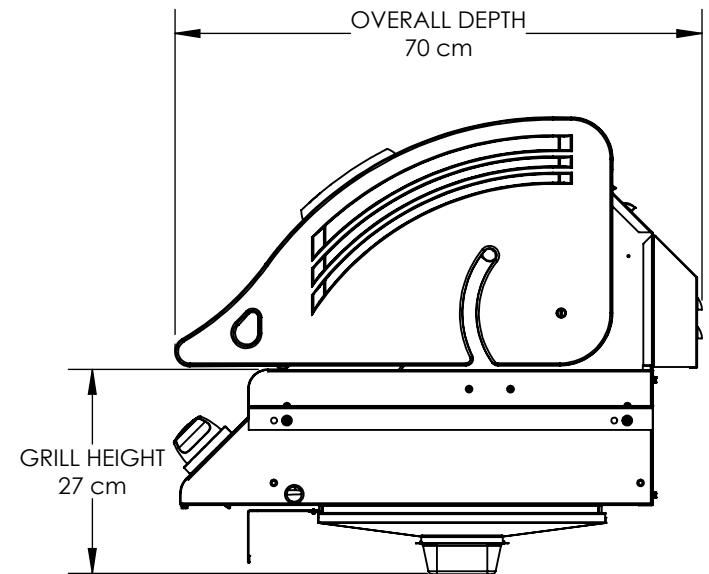
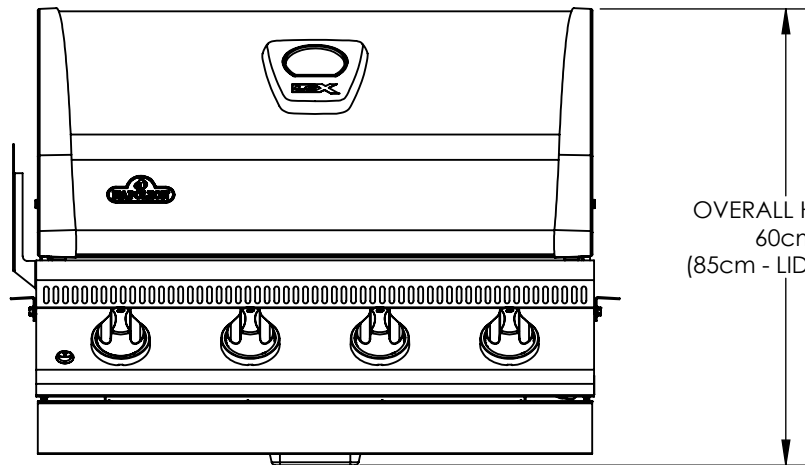


**BILEX485 GRILL**

- 2 X 17.50 MJ/h FLAME MAIN BURNER
- 1 X 14.50 MJ/h I.R. MAIN BURNER
- 1 X 14.00 MJ/h REAR BURNER

GRILL SIZE: 46 cm X 68 cm = 3130 cm<sup>2</sup>  
 WARMING RACK SIZE: 18 cm X 68 cm = 1220 cm<sup>2</sup>

ALL DIMENSIONS ARE APPROXIMATE



- AVAILABLE GASES**
- PROpane -----
  - NATURAL GAS -----

This drawing is the property of Wolf Steel LTD. or NAC. It is not to be reproduced nor used in any manner without our consent. All rights are reserved.



UNLESS OTHERWISE NOTED OR DEPICTED  
**ALL DIMENSIONS ARE OUTSIDE IN INCHES**  
**ALL SURFACES ARE CONSIDERED CLASS "D"**

**TOLERANCES:**  
 DIMENSIONS ±0.031 RADIUS ±0.062  
 REFERENCE DIMENSIONS ±0.062 ANGLES ±2°

TITLE: **SPEC SHEET, BILEX485-1 AUSTRALIA**

MATERIAL:

LBS

MODEL:

LEX485

DRAWING: **N620-0133**

FINISH:

PROJECT LEAD: S PAYNE

CN#: 20287

THICKNESS:

SCALE: 1:4 SHEET 1 OF 1

ISSUE DATE: **08/12/19**

REVISION: **A**

REV DATE: **08/12/19**

REV NOTE: UPDATED DRIP PAN DESIGN

DRAWN BY: **IEA**

CHECKED BY: **ES**



## BUILT-IN UNIT OPENING DIMENSIONS

MODEL	OPENING DIMENSIONS		
	W	D	H
BILEX485	756mm	543mm	225mm
BILEX605	927mm	543mm	225mm
BILEX730	1099mm	543mm	225mm
SIDE BURNER	324mm	419mm	114mm

