

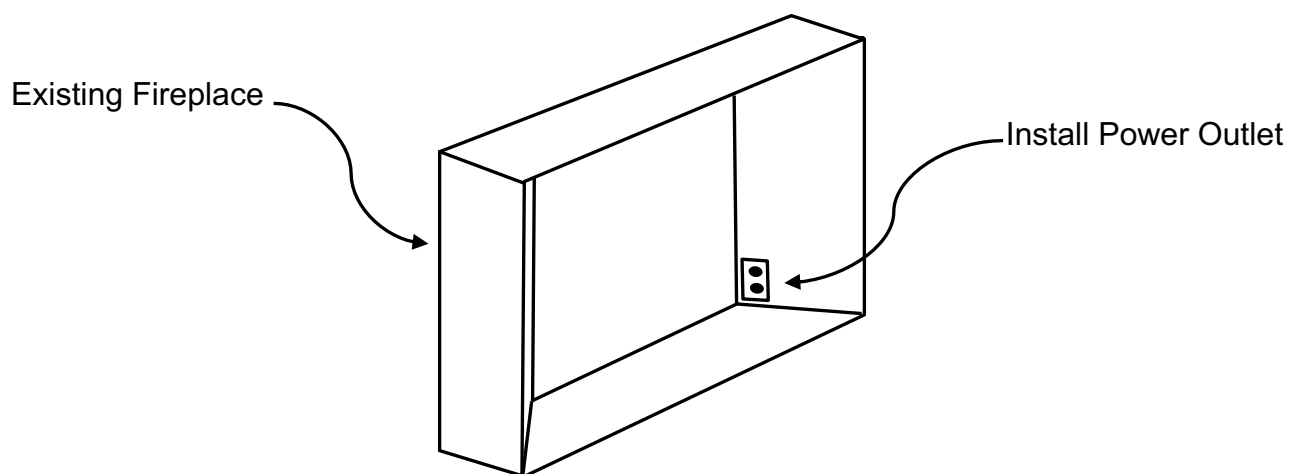
Insert Installation

This fireplace is designed to be installed in two different methods:

- 1) **Built-In Mounted** (mounted in a wall that has been custom framed for this fireplace).
 - a. Electrical power to be hardwired.
- 2) **Insert Mounted** (inserted into an existing fireplace).
 - a. Electrical power to be plugged in to receptacle (power cord supplied).

Preparation (Insert into existing fireplace)

- A. Remove all debris from existing fireplace.
- B. Have a qualified electrician wire an electrical outlet to the rear or side of the existing fireplace.



NOTE: A dedicated 10 Amp (or higher) breaker is required. This fireplace must be electrically connected and grounded in accordance with local codes.

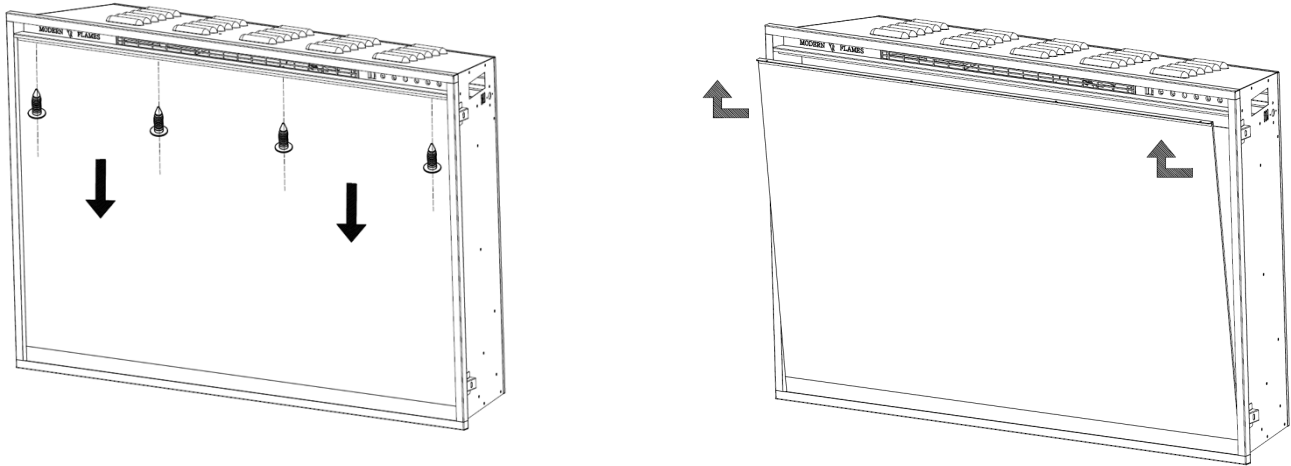
(Insert Installation Continued)

Remove Front Glass

A. With one hand on the front glass to prevent it from falling, remove the screws from the top of the glass. Set the screws aside.

B. Lean the glass towards you. With hands on each side of the glass, carefully lift the front glass up and away from the fireplace. Place it face-down on a soft, non-abrasive surface.

C. Reverse these steps to install the front glass.



NOTE: PLEASE DO NOT LIFT THE GLASS UP BY LIFTING THE “U” SHAPE METAL BRACKET.

Choose Trim Size

The fireplace is shipped with the 5/8 inch (16mm) trim already attached to the fireplace. Included in the box with the fireplace is a thicker 1-5/8 inch (41mm) trim. Either trim can be installed and is up to the discretion of the installer.

To remove and install trim:

- 1) Remove trim screws with phillips screwdriver (screws located around the perimeter of the trim).
- 2) Remove old trim.
- 3) Install new trim in reverse order. (additional screws are provided in the hardware kit if needed)

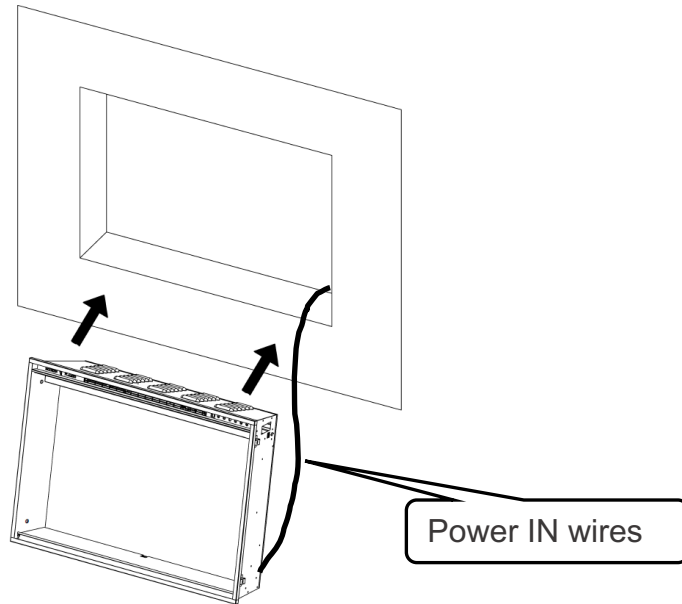
Extra wide trim sets are available and sold separately. See last section in this manual for sizes.

(Insert Installation Continued)

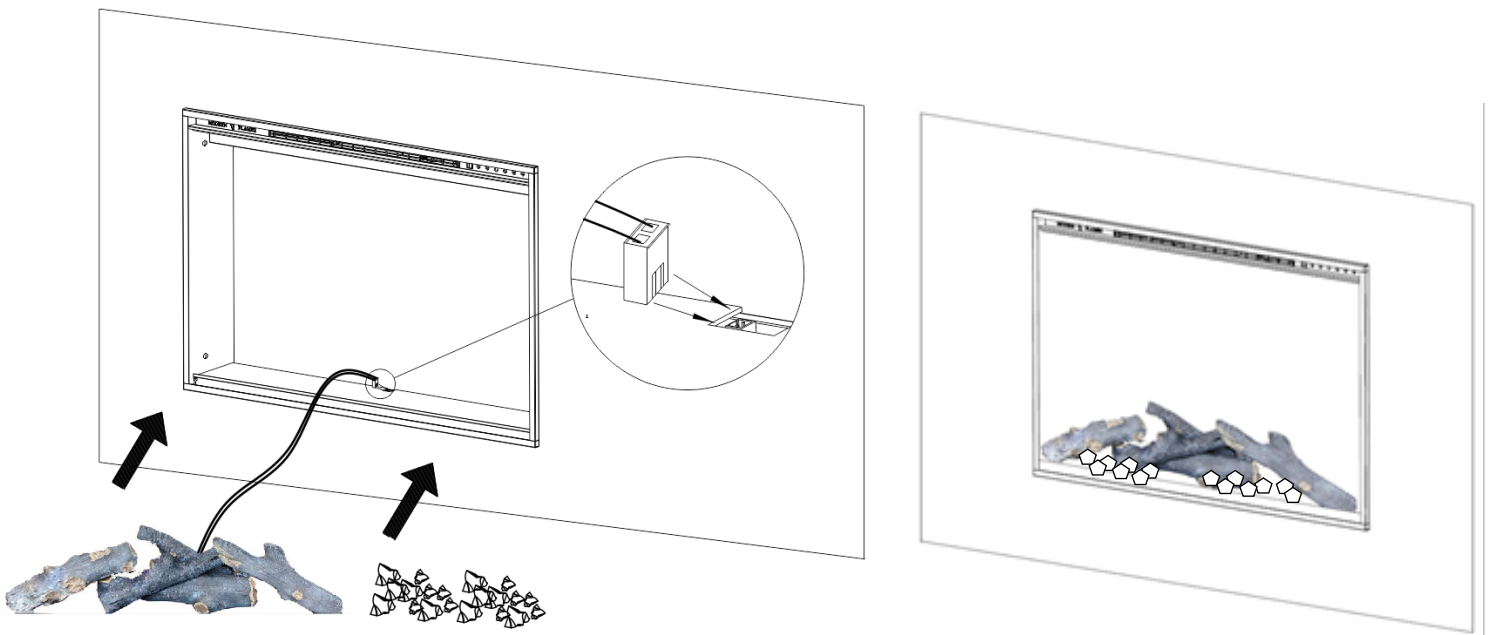
Install Fireplace

A. Plug-in power cord to power outlet installed inside existing fireplace.

B. Insert the fireplace in the opening until it is fully inserted and adjust feet to desired height. The fireplace is held in place by gravity and friction; no need to use screws.



C. Install logs first. Connect log-set by plugging the connector to the socket as shown below. Add Glacier Crystals.



Install glass front in reverse order from removal.