



WEBER FAMILY Q BUILT IN GUIDE

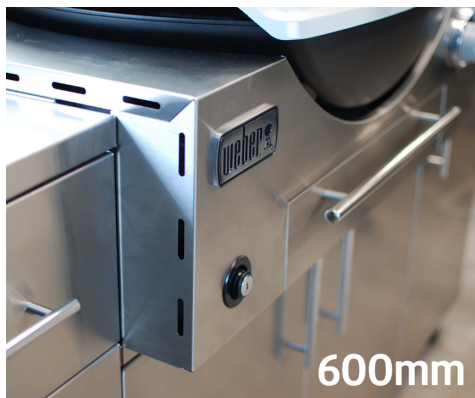
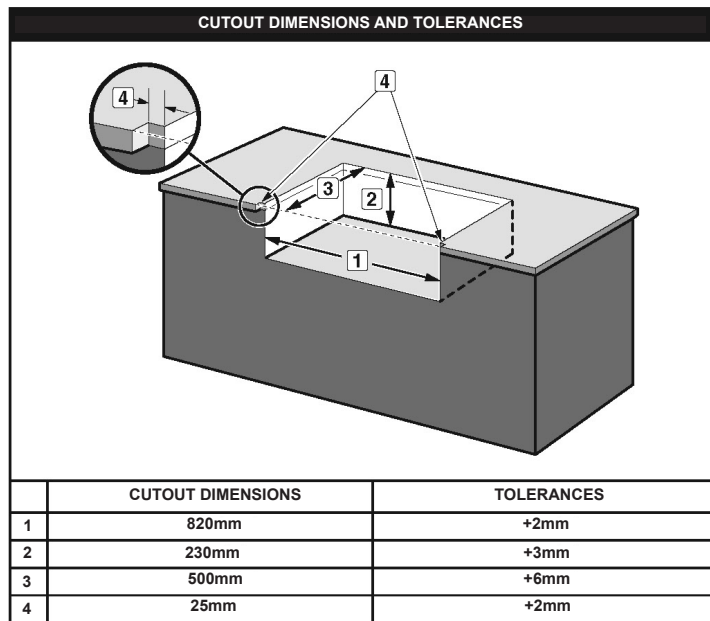
This is a **GUIDE ONLY**. Please refer to full installation guide booklet before commencing installation

FOR CABINET DEPTH OF 600mm

BARBECUE CUTOUT DIMENSIONS

The Q³⁶⁰⁰™ built-in gas barbecue unit should be on site before construction begins. All dimensions specified in this manual are to finished surfaces of your built-in structure. It is important to note that if your countertop has an overhang, a 25mm wide notch is required on both sides of the leading edge of the countertop [4]. This gives clearance for the barbecue to fit properly against the face of the built-in structure.

⚠ WARNING: The structure, countertops, and adjacent work areas for the built-in barbecue installation must be constructed from noncombustible materials only.



A 600mm bench depth requires the Q Built In to sit further forward to allow clearance for the lid to open. As a result, the air vents plus a stainless steel panel protrudes (approximately 85mm) at the front of the cabinet. This is illustrated in the image on the left.

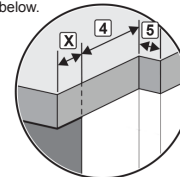
FOR CABINET DEPTH EXCEEDING 660mm

BARBECUE CUTOUT DIMENSIONS

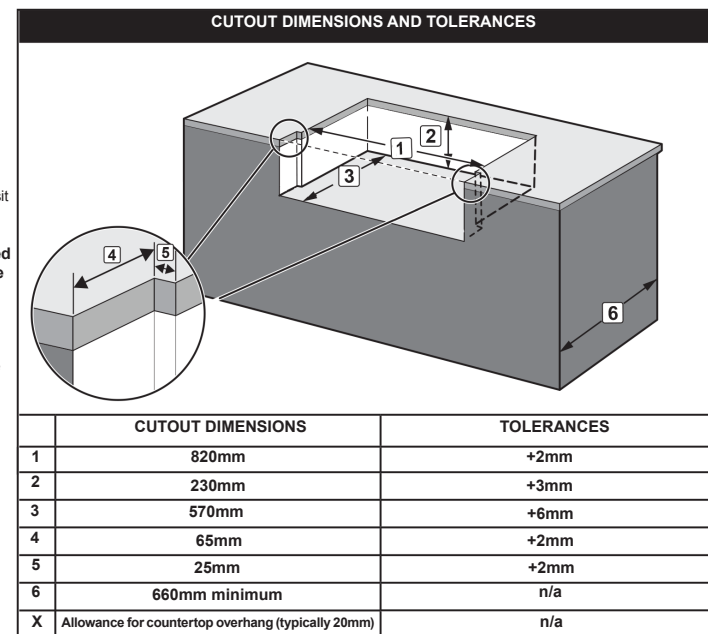
These dimensions are to be used where the cabinet depth exceeds 660mm (excludes countertop overhang).

The Q³⁶⁰⁰™ built-in gas barbecue unit should be on site before construction begins. All dimensions specified in this manual are to finished surfaces of your built-in structure. To recess the bbq into your cabinet a 25mm wide [5] x 65mm deep [4] x 230mm high [2] notch is required on both sides of the cutout. This notch enables the bbq to sit against the face of the built-in cabinet.

⚠ WARNING: Notch depth [4] must not exceed 65mm. This prevents the ventilation holes in the side of the built-in unit from being obstructed which may cause the bbq to overheat, alter its performance and may affect your warranty. It is important to note that if your countertop has an overhang, the overhang depth [X] must be added to the notched depth [4]. See below.



⚠ WARNING: The structure, countertops, and adjacent work areas for the built-in barbecue installation must be constructed from noncombustible materials only.



A 660mm or greater bench depth will allow the Q Built In to fully recess into the cabinet, leaving only the air vents of the barbecue protruding (approximately 25mm) at the front of the cabinet. This is illustrated in the image on the left.

For further information please phone Weber customer service on 1300 301 290 or email custserv@weberbbq.com.au