

**IMPORTANT**

**It is the responsibility of the installer to ensure that the installation of this appliance complies with AS/NZS 2918:2001**



Supplied: Ethos Ares  
Flue kit: 3 x 1200 130mm SS flue  
1 x .600 130mm SS flue  
1 x Revolving cowl & cone  
1 x cowl retaining strap  
1 x Starter liner

Not included in kit: FEI Batts  
Screws / Rivets  
Dynabolts  
Fire cement  
Shrouds / liners.

FEI high temp fibreglass batts should be fitted around firebox casing to insure optimum performance.

**note:** It is essential the FEI batts do not obstruct the air intake spigot around the flue. The 200mm starter liner must be fitted to prevent this happening.



FEI fibreglass batts must be fitted securely between the firebox casing and the opening of the open fireplace to prevent combustion air being drawn from the room into the fireplace cavity.

Flue kit: Ethos wood fires must be fitted with the Ethos factory flue kit as this has been specifically designed to achieve optimum performance of the unit. It must be a minimum of 4.2 mtrs.

Seismic restraint: Use 2 x 6mm dynabolts or similar, two holes are provided in the front of the floor of the firebox cabinet for this purpose.

Mantle: If a combustible mantle is within 930mm of the top surface of the hearth it must be protected with an approved non combustible mantle deflector. Combustibles may touch the sides of the Ares fascia.

Flue shrouds: 200mm x 1200mm sheet metal flue shroud can be fitted where required. If the chimney size or structure does not allow this, the sheet metal shrouds may be omitted as the chimney itself will become the shroud. Ethos wood fires have been safety tested with and without the shrouds fitted. The 200mm x 200mm starter liner should always be fitted.

Floor protector: The floor protector must extend 200mm each side of the door opening. See graph on page 2 for measurements required.

**WARNING: THE APPLIANCE AND FLUE SYSTEM SHALL BE INSTALLED IN ACCORDANCE WITH AS/NZS 2918: 2001 AND THE APPROPRIATE REQUIREMENTS OF THE RELEVANT BUILDING CODE OR CODES.**



**WARNING: APPLIANCES INSTALLED IN ACCORDANCE WITH THIS STANDARD SHALL COMPLY WITH THE REQUIREMENTS OF AS/NZS 4013 WHERE REQUIRED BY THE REGULATORY AUTHORITY, I.E. THE APPLIANCE SHALL BE IDENTIFIABLE BY A COMPLIANCE PLATE WITH THE MARKING "TESTED TO AS/NZS 4013." ANY MODIFICATION OF THE APPLIANCE THAT HAS NOT BEEN APPROVED IN WRITING FROM THE TESTING AUTHORITY IS CONSIDERED TO BE IN BREACH OF THE APPROVAL GRANTED FOR COMPLIANCE WITH AS/NZS 4013.**

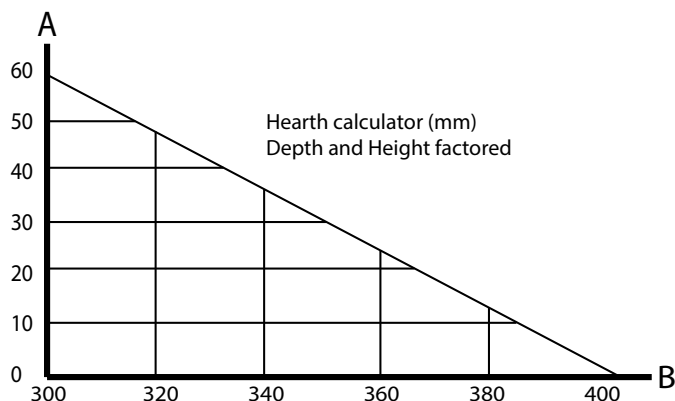
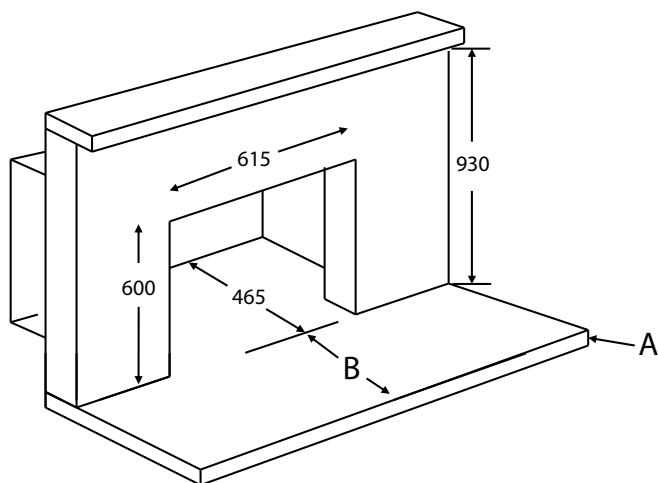
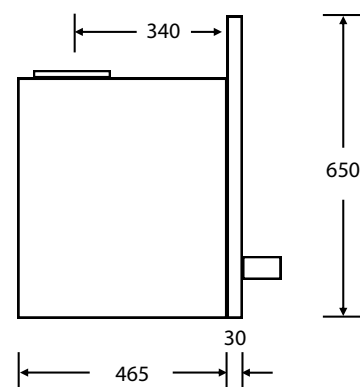
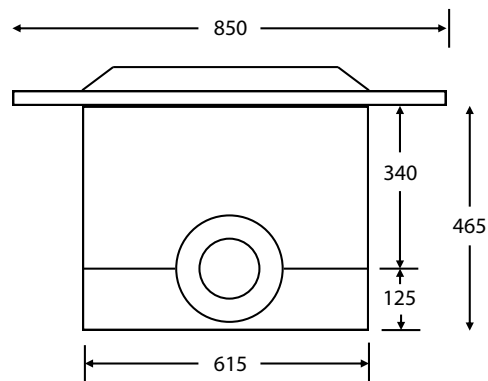
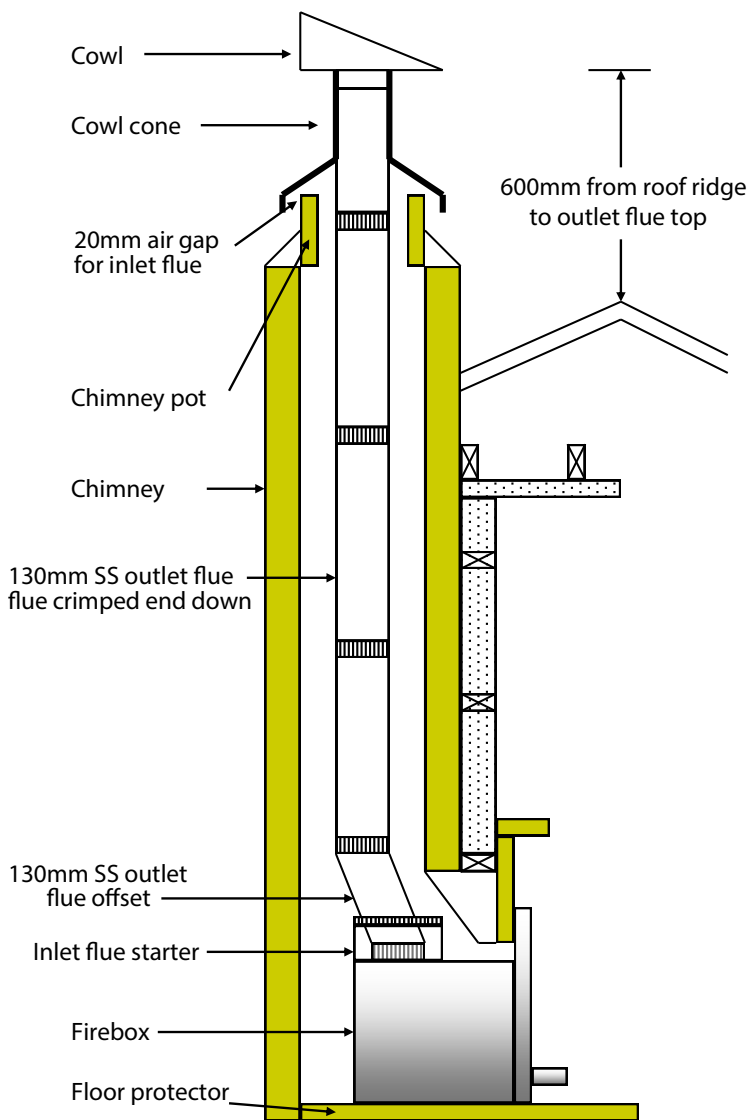


**CAUTION: MIXING OF APPLIANCE OR FLUE SYSTEM COMPONENTS FROM DIFFERENT SOURCES OR MODIFYING THE DIMENSIONAL SPECIFICATION OF COMPONENTS MAY RESULT IN HAZARDOUS CONDITIONS. WHERE SUCH ACTION IS CONSIDERED, THE MANUFACTURER SHOULD BE CONSULTED IN THE FIRST INSTANCE.**



**CAUTION: CRACKED AND BROKEN COMPONENTS, e.g. GLASS PANELS OR CERAMIC TILES, MAY RENDER THE INSTALLATION UNSAFE.**





**IMPORTANT:** It is the responsibility of the installer to ensure that the installation of this appliance complies with AS/NZS 2918:2001. The above installation diagrams are provided as a guide only.

**Australia**  
 Capisco Aust Pty Ltd  
 2/281 Pacific Highway  
 North Sydney, NSW 2060  
 Phone (02) 8310 7304  
 www.capisco.com.au

**New Zealand**  
 Capisco Ltd  
 PO Box 938, Whangaparaoa  
 Auckland 0930  
 Phone (09) 947 5166  
 www.capisco.co.nz

Notes/Installer/Dealer Details