

HERSCHEL CALIFORNIA 2000R Wall-mounted Infrared Heaters

INSTALLATION & OPERATING INSTRUCTIONS



TECHNICAL INFORMATION:

Rated Power:	2000W at 220-240V
Heating Element:	Ultra long life Carbon heating lamp (10,000 hours)
Reflector:	Mirror Aluminium (98% reflection preventing rearward heat loss)
Dimensions:	780 x 125 x135mm
Remote control:	2 power levels (50% power increments) & 9 hour time (9x1 hour increments)
Mounting position:	Wall or Stand (available separately)
Warm-up time:	5-10 seconds
Useful wavelength range:	2 - 5µm
Weight:	3kg
Warranty:	2 Years (excludes lamp & remote control)
Protection:	IP65

ELECTRICAL EQUIPMENT:



Waste electrical products should not be disposed of with household waste. Please recycle where facilities exist.

IMPORTANT NOTICE TO PURCHASER:

Before utilizing the product, you should determine the suitability of the product for its intended use. HERSCHEL INFRARED LTD expressly disclaims the implied warranties and conditions of merchantability and fitness for a particular purpose. In no case shall HERSCHEL INFRARED LTD be liable under any legal theory, including but not limited to contract or strict liability, for any direct, indirect special, incidental or consequential damages resulting from product use.



The product complies with Safety Standards EN60335-2-30, RoHS and EMC EN 50336 and EN 62233. These cover the essential requirements of EEC Directives 2006/42/EC, 2011/65/EC and 2004/108/EC.

Original instructions covering CALIFORNIA 2500 produced 052017 onwards.

IMPORTANT SAFETY PRECAUTIONS

READ THESE INSTRUCTIONS CAREFULLY AND RETAIN FOR FUTURE REFERENCE.

Failure to observe these instructions will invalidate the warranty.

This unit may be a source of possible shock.

Do not disassemble. No user-serviceable parts inside.

Source of possible ignition.

WARNING

TO REDUCE THE RISK OF FIRE, ELECTRIC SHOCK OR INJURY:

1. This appliance must be disconnected from its power source during installation or service activities and when replacing.
2. Unless mounted above 2.4m, **DO NOT** use this heater with a programmer, timer or any other device that switches the heater on automatically.
3. When mounted on a stand (available separately) **DO NOT** use this heater in the immediate surroundings of a bath, shower or swimming pool.
4. In order to avoid overheating and potential fire hazard, **DO NOT** cover the heater. **DO NOT** cover the heater with insulating material or a similar material under any circumstances.
5. **DO NOT** touch the heater when in use. The Herschel CALIFORNIA rises to very high temperatures in use. After the heater has been switched off let the heater completely cool down before touching it.
6. **DO NOT** use the heater if the power cord is damaged. This must be replaced by the manufacturer, its service agent or similarly qualified persons in order to avoid a hazard.
7. **DO NOT** use the heater to ignite materials.
8. This heater must only be used for the heating of people outdoors or indoors in an unenclosed space. The CALIFORNIA is not to be used by children or persons with reduced physical, sensory or mental capabilities, or lack of experience or knowledge, regardless of whether they have been given instruction or are under supervision. Children should be kept away and should not be left unsupervised around the unit.
9. All operators shall only switch on/off the appliance provided that it has been placed or installed in its intended normal operating position and they have been given supervision or instruction concerning use of the appliance in a safe way and understand the hazards involved. Children shall not plug in, switch on or regulate the appliance or perform user maintenance including cleaning.
10. **IMPORTANT:** Ensure supply voltage does not exceed 245 volts.

SAVE THESE INSTRUCTIONS.

WATER INGRESS PROTECTION:

Herschel CALIFORNIA is rated to a standard IP65 enabling it to be mounted outdoors and exposed to occasional rainfall. To prolong the life of the heater we recommend installing it where it will be sheltered from the effects of weather. Herschel CALIFORNIA is not intended for installation in locations that are permanently wet or humid.

Installation in potentially wet or humid rooms such as bathrooms must be carried out by a suitably qualified installer and comply with local electrical safety requirements. Installation must be such that:

- the heater must not be able to become detached from the fittings and fall into a bathtub, shower, swimming pool or other water container;
- Switches and other controls cannot be touched by a person in a bath or shower.

If in doubt, do not install. Herschel Infrared Ltd shall not be liable for any loss, damage or injury caused or resulting from inadequate fitting or incorrect placement of heaters close to water sources.

ELECTRICAL INFORMATION:

Installation must only be carried out by competent persons or a qualified electrician according to national regulations. Wiring must be connected in accordance with the relevant national electrical safety standards and must be earthed. The electrical supply to the unit should be provided by connecting to a circuit protected by a fuse or miniature circuit breaker suitable for the electrical rating of the unit and in accordance with Table 1. An electrical plug may be added by the installer so long as both the plug and electrical supply circuit to be plugged into are appropriately rated according to the requirements of the heater in Table 1 and in accordance with local regulation. Any plug, sockets and switches intended for use outdoors must have water ingress protection ratings as good as, or better, than the protection rating of the heater (IP65).

Table 1. Electrical Specification

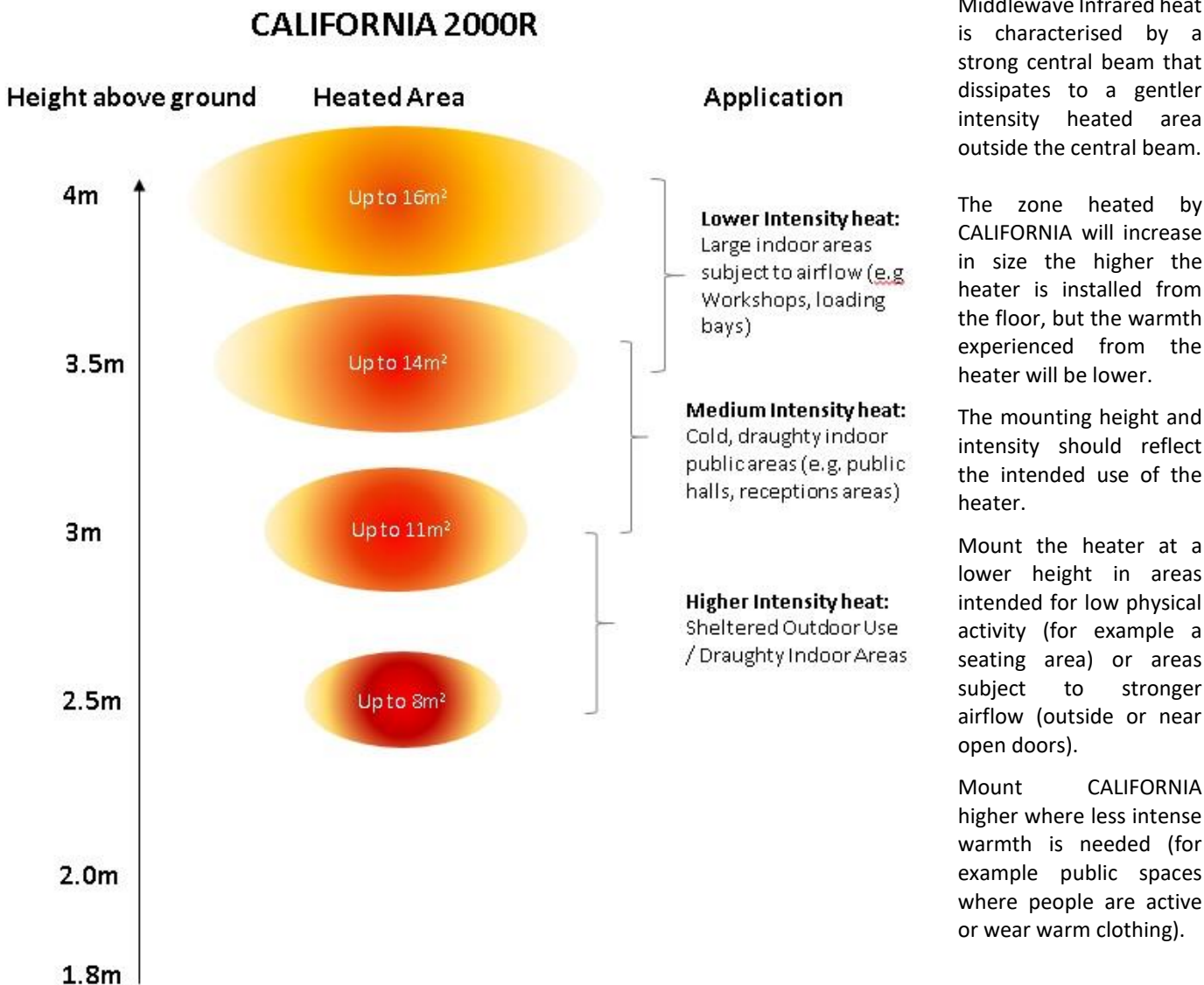
Model	Rated Power	Voltage	Current	Frequency	Fuse (Minimum)
CALIFORNIA 2000	2000W	230V	8.7A	50/60Hz	13A

The mounting position of the unit must ensure that any mechanical damage to the flexible cable is unlikely. Any exposed flexible cable is to hang down (not tied UP) and must have adequate clearance from the heater to prevent scorching or damaging the cable.

Colour coding used in the supplied mains cable: BROWN wire is to be connected to LIVE ('L'), the BLUE wire to NEUTRAL ('N') and the GREEN/YELLOW wire to EARTH ('E').

MOUNTING POSITION:

Diagram 1: CALIFORNIA heated area and applications



For permanent installation (i.e. not using a stand), the Herschel CALIFORNIA must be located in a position to allow proper and efficient use but one that ensures hot parts are not touched accidentally. The recommended installation height of the CALIFORNIA is 2.4m to 3.5m (95"-138") from the floor. Under no circumstances is the unit to be installed at less than 1.8m (71") from the floor. Consideration should be given to any temporary or occasional additions such as stages or platforms and adjusted accordingly. For outdoor use, or other areas with air movement/wind the directional Infrared spread may reduce by 1/3 to 1/2.

Wall mounting swivel brackets are provided with the heater which has been specifically designed to allow this product to be fitted to a wall with adequate clearances at the back of the unit. Do not mount the heater with any other bracket except those provided.

The sides and ends of the heater must always be at least 300mm (12") away from the nearest wall, ceiling or other structure.

Diagram 1: Bracket Assembly

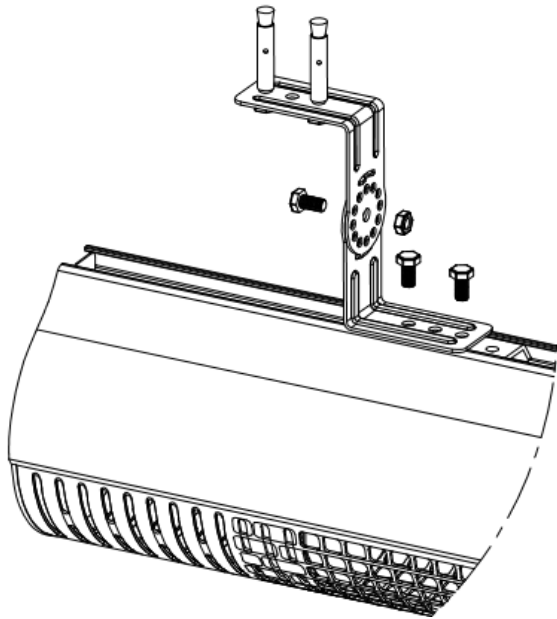


Diagram 2: Wall Mounting Position

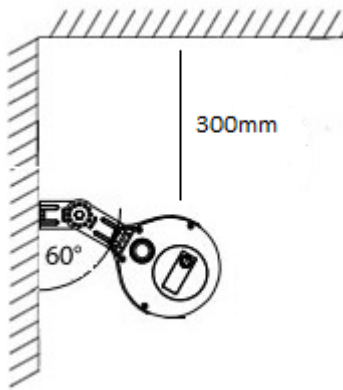
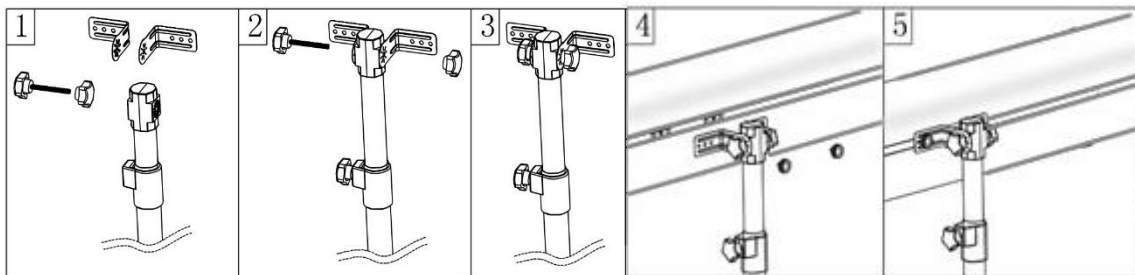


Diagram 3: Installation using a stand:

The CALIFORNIA may be installed on its own stand (available separately). Installation is easy using the brackets supplied following the diagrams below.



The heater incorporates a tip-over function which will cut the power if the unit detects an angle greater than 45°.

⚠ CAUTION:

- Ensure mains power is OFF before commencing installation.
- The supplied mains cable must not contact the top surface of the heater during operation.
- Heater must not be located immediately below a socket outlet. Electrical connections must be made outside of the footprint of the unit to avoid heat build-up. If the heater is to be mounted on an incline (e.g. sloping roof), ensure the electrical connection is located below the lowest end of the heater.
- Joists, beams and rafters shall not be cut or notched to install the appliance.
- This heater is not intended for ceiling-recessed installation.
- The identification mark and model reference should be visible after installation.
- The CALIFORNIA must not be attached facing or close to any combustible material (eg, wood or PVC cladding, fascia or soffit) or other materials that could blow onto the heater.
- The fixed wiring insulation coming into contact with parts with a temperature rise of greater than 50°C must be protected, for example, by sleeving having an appropriate temperature rating.
- Exercise caution when siting the heater stand that the heater cannot accidentally be touched, knocked-over or that the wire causes a tripping hazard.
- Never place the stand and heater next to a swimming pool, pond or other water source.

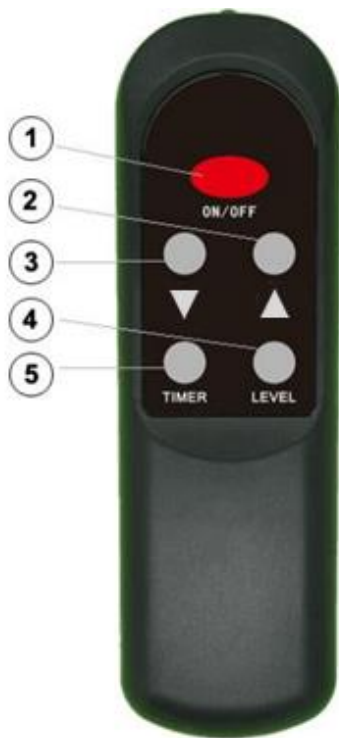
INITIAL USE:

There may be an odour or vapour from the heater on initial use or if heater has not been used for an extended period. This is normal.

OPERATION:

The Herschel CALIFORNIA is operated from the remote control supplied with the heater.

Insert 2 x AAA Alkaline batteries into the remote control.



Remote Control Function			
Button	Function (Heater On)	Function (Heater Off)	LED Display on Heater
1	Turns heater on or off		
2	Increase Heat Level or Timer hours	Turns heater on to Level 1 (minimum)	L1
3	Decrease Heat Level or Timer Hours	Turns heater on to Level 2 (Maximum)	L2
4	Enable Heat Level adjustment		L [n]
5	Enable Timer adjustment		T [n]

1. POWER BUTTON: Turns heater on or off.
2. UP BUTTON: Increases the temperature and timer level.
3. DOWN BUTTON: Decreases temperature and timer level.
4. LEVEL BUTTON: Use to adjust heat levels (L1-L2). Press the Level button then use the up and down buttons (2 and 3) to increase or decrease the heating level.
5. TIMER BUTTON: Use to set the timer from T0 – T9 (0-9 hours). Adjust using buttons 2 & 3 to the number of hours you would like to set.

All Herschel remote controls have the same frequency, so it is possible to control several heaters with just one remote.

USER MAINTENANCE:

The heater may be wiped-down with a soft damp cloth. Do not use abrasive detergents to clean the unit. In marine environments, the unit may be gently sprayed clean with clean water with the POWER TURNED OFF and completely cool. After cleaning, it is advisable to warm the heater for 10 – 20 minutes to dry the unit and prevent staining.

The lamp used in the Herschel CALIFORNIA is Ultra long life (10,000 hours). Changing the lamp should only be carried out by suitably qualified personnel using the instructions available on Herschel's website.

COMPLIANCE WITH ECODESIGN DIRECTIVE 2009/125/EC:

EcoDesign legislation does not apply to CALIFORNIA when used outside, or for heating indoors in an unenclosed space where this prevents application of EcoDesign regulations.

The CALIFORNIA is not recommended for use indoors to reach and maintain a defined temperature level in an enclosed space.

Herschel is not responsible for any breach of the legislation where the CALIFORNIA is used indoors in such a way as to put it within scope of the EcoDesign Directive.

WARRANTY:



Register your product here:

<https://www.herschel-infrared.com/customer-service/warranty-registration/>

The Herschel CALIFORNIA is guaranteed against failure due to faulty materials or workmanship for two years from date of purchase excluding the lamp and remote control unit. In the unlikely event of failure of the unit within this time, the unit must be returned to the supplier for repair or replacement. The guarantee is invalid if the correct installation instructions as given in this leaflet have not been adhered to. Refer to Herschel Infrared Ltd's warranty policy for full details. See <https://www.herschel-infrared.com>.

Note your serial number for future reference: