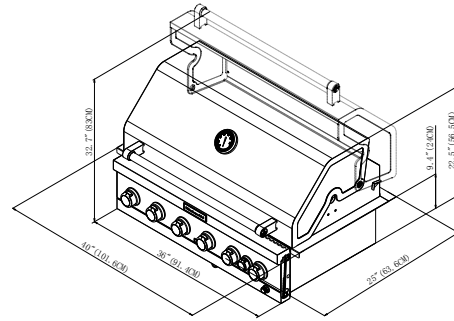


# INSTALLATION REQUIREMENTS

## Product Dimensions



## Built-In Outdoor Grill Enclosure

### ⚠ WARNING



#### Fire Hazard

**Do not install grill on or near combustible materials.  
Doing so can result in death or fire.**

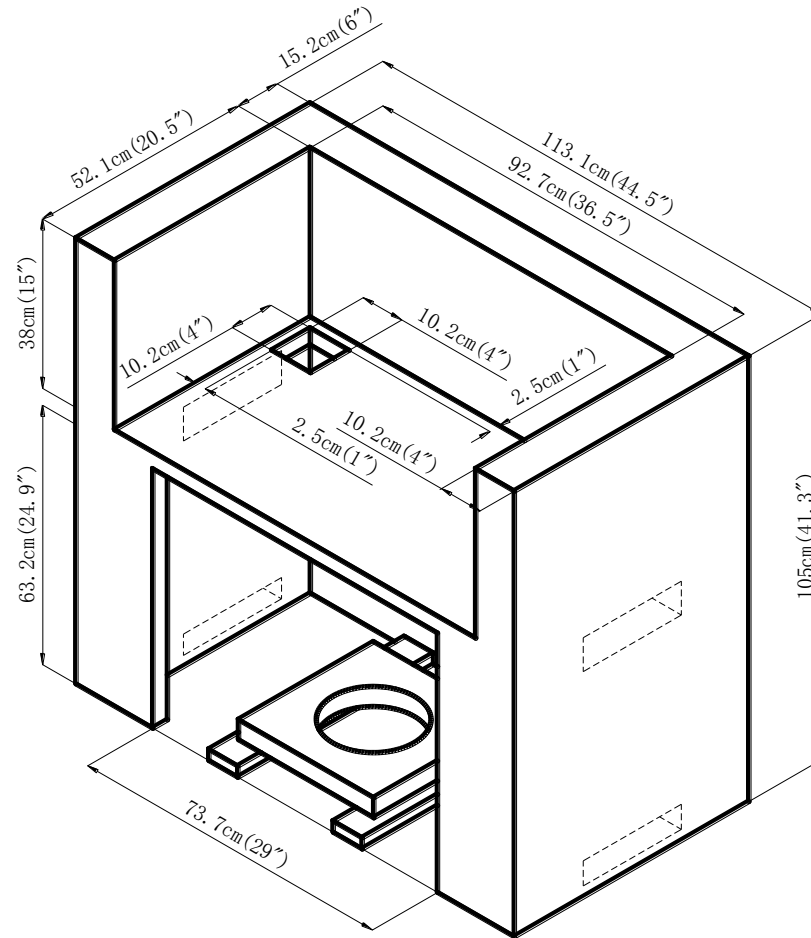
The enclosure for the built-in outdoor grill is to be a minimum of 15" (38.0 cm) high x 20.5" (52.1 cm) deep x 36.5" (92.7 cm) wide.

This built-in outdoor grill is only for installation in a built-in enclosure constructed only of noncombustible materials. Non-combustible materials could be brick, firewall or steel. Do not use wood or other combustible materials for built-in enclosure.

## Cabinet Cutout Dimensions

The illustration below includes cutout dimensions and minimum spacing requirements. The illustration is for reference. The design of your cabinet layout can be personalized, but the dimensions for the cutouts and minimum spacing must be followed. Center or support surfaces must be level.

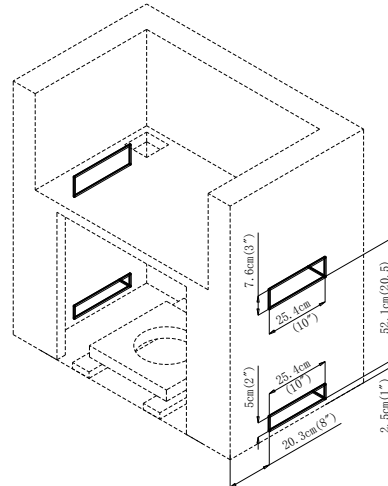
**NOTE:** The grill drops into the opening and is supported by its side flanges. Do not use a bottom support.



### Built-in Outdoor Grill Enclosure Ventilation Requirements

Any enclosure is to be ventilated by openings at both the top and lower levels of the enclosure. The following information is the minimum for proper ventilation of your island construction.

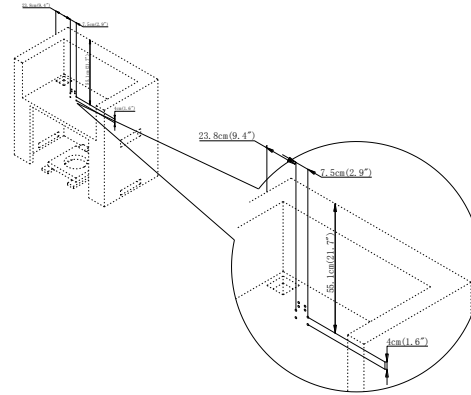
- There should be a minimum of 1 7/8" (4.4 cm) of clearance from the bottom of the main burner bowl assembly island for proper ventilation.  
**NOTE:** There should be no solid surface underneath the firebox portion of the grill.
- A minimum of 3" (7.6 cm) is required between the back of the grill and any noncombustible materials. A minimum of 36" (92 cm) is required between the back of the grill and any combustible material.
- The island must be vented in one of the 2 following ways: A 90° or a 180° ventilation in the island to ensure that air flows through the island at either 90° or 180°.
- Any enclosure for built-in installation is to have at least one ventilation opening on an exposed exterior side located within 2 1/2" (6.0 cm) of the top and is to be a minimum of 20 in. 2 (129.0 cm 2). One ventilation opening within 1 1/2" (3.0 cm) of the bottom of the enclosure, and the bottom opening is to be a minimum of 10 in. 2 (64.5 cm 2). All vent openings are to be unobstructed. Every opening is to be a minimum of 1/8" (0.32 cm) wide. To ensure that the grill operates properly, it is recommended that the island have ventilation on all 4 sides as shown in the following illustration. The ventilation holes should be as diagrammed to ensure adequate ventilation for your grill and island.



- Proper ventilation is required based on the above mentioned specifications for your grill to operate properly.

### LP Gas

**LP Gas Pressure Regulator/Hose Assembly Location**  
Measurements shown are for attaching the LP gas pressure regulator/hose assembly to the enclosure.



### Natural Gas Conversion

**Natural Gas Pressure Regulator Location**  
Measurements shown are for attaching the Natural gas pressure regulator to the enclosure.

