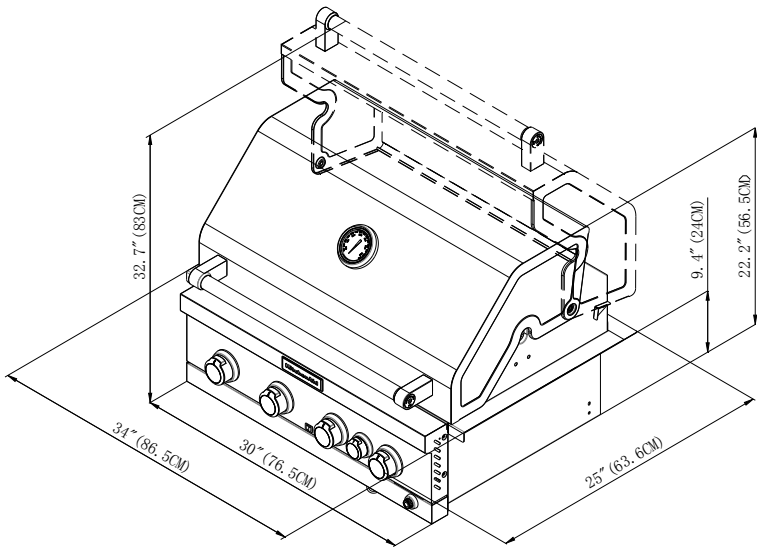


## Product Dimensions



## Built-In Outdoor Grill Enclosure

### **⚠ WARNING**



#### **Fire Hazard**

**Do not install grill on or near combustible materials.  
Doing so can result in death or fire.**

The enclosure for the built-in outdoor grill is to be a minimum of 11" (28.0 cm) high x 23" (58.4 cm) deep x 30" (76.2 cm) wide

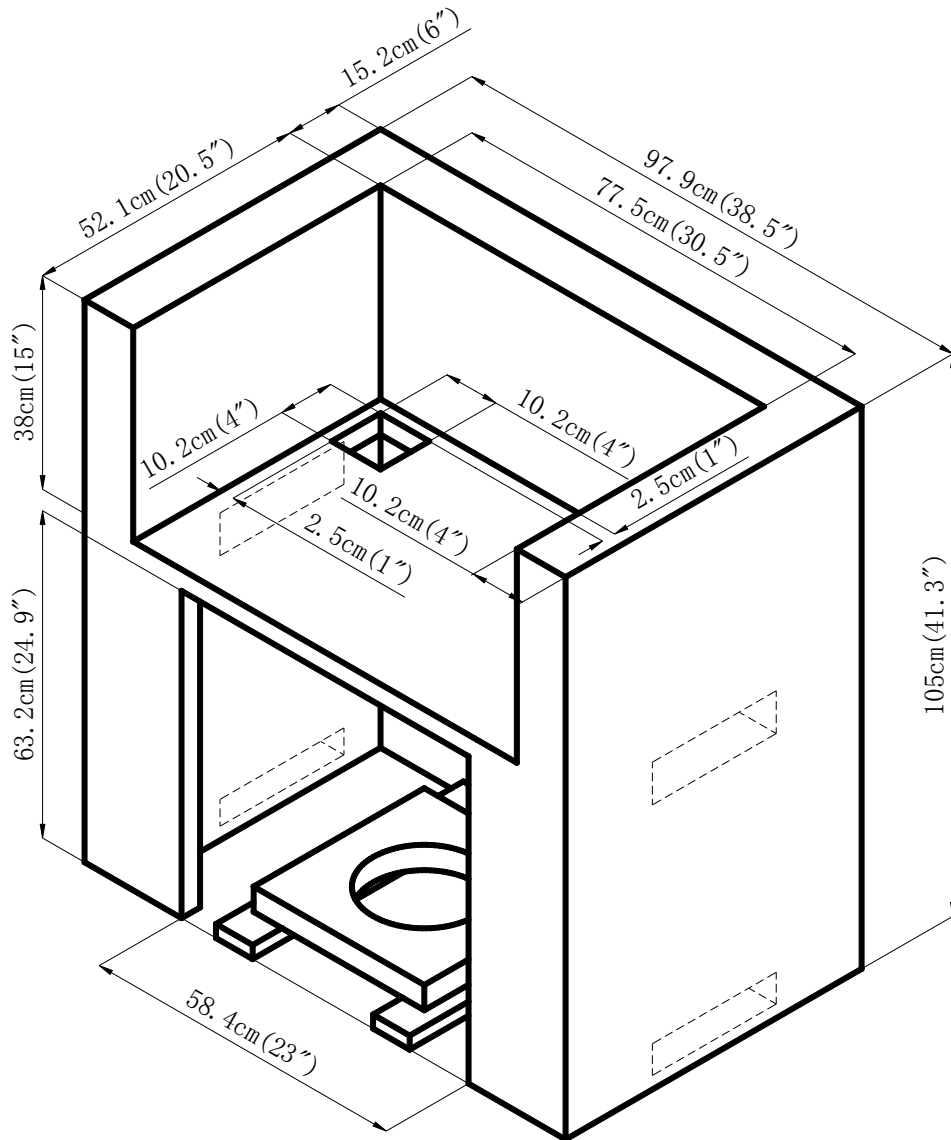
This built-in outdoor grill is only for installation in a built-in enclosure constructed only of noncombustible materials. Non-combustible materials could be brick, firewall or steel. Do not use wood or other combustible materials for built-in enclosure.

## Cabinet Cutout Dimensions

The illustration below includes cutout dimensions and minimum spacing requirements. The illustration is for reference. The design of your cabinet layout can be personalized, but the dimensions for the cutouts and minimum spacing must be followed.

Center or support surfaces must be level.

**NOTE:** The grill drops into the opening and is supported by its side flanges. Do not use a bottom support



### Built-in Outdoor Grill Enclosure Ventilation Requirements

Any enclosure is to be ventilated by openings at both the top and lower levels of the enclosure. The following information is the minimum for proper ventilation of your island construction.

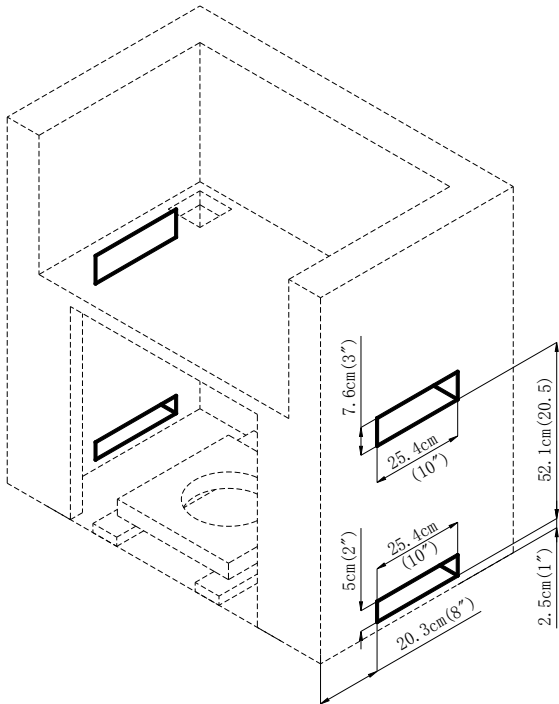
- There should be a minimum of 1 7/8" (4.4 cm) of clearance from the bottom of the main burner bowl assembly island for proper ventilation.

**NOTE:** There should be no solid surface underneath the firebox portion of the grill.

- A minimum of 3" (7.6 cm) is required between the back of the grill and any noncombustible materials. A minimum of 24" (61.0 cm) is required between the back of the grill and any combustible material.

- The island must be vented in one of the 2 following ways: A 90° or a 180° ventilation in the island to ensure that air flows through the island at either 90° or 180°.
- Any enclosure for built-in installation is to have at least one ventilation opening on an exposed exterior side located within 2½" (6.0 cm) of the top and is to be a minimum of 20 in.<sup>2</sup> (129.0 cm<sup>2</sup>). One ventilation opening within 1½" (3.0 cm) of the bottom of the enclosure, and the bottom opening is to be a minimum of 10 in.<sup>2</sup> (64.5 cm<sup>2</sup>). All vent openings are to be unobstructed. Every opening is to be a minimum of 1/8" (0.32 cm) wide.

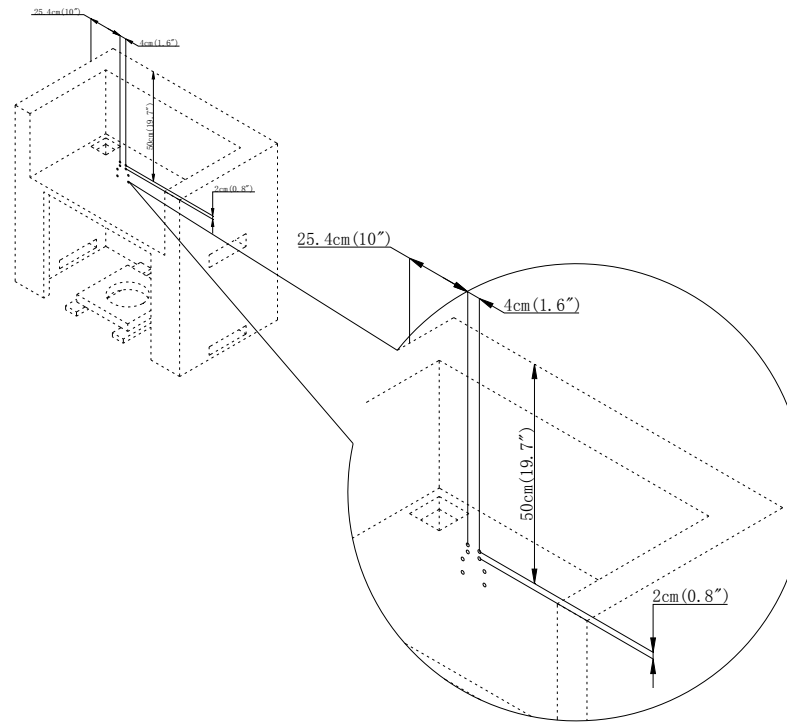
- To ensure that the grill operates properly, it is recommended that the island have ventilation on all 4 sides as shown in the following illustration. The ventilation holes should be as diagrammed to ensure adequate ventilation for your grill and island.



- Proper ventilation is a required based on the above mentioned specifications for your grill to operate properly.

## Natural Gas Conversion

**Natural Gas Pressure Regulator Location** Measurements shown are for attaching the Natural gas pressure regulator to the enclosure.



## Gas Supply Requirements

### GAS AND REGULATOR INFORMATION

THIS BBQ IS DESIGNED FOR PROPANE USE ONLY. IT IS NOT TO BE CONNECTED TO NATURAL GAS. Gas bottles with a "POL" low pressure connection are to be used with this BBQ. Bottle sizes of 4.5 - 9 kg are recommended for use with this BBQ. Suitable regulators must have an outlet pressure of 2.75 KPA. You must have the proper regulator and bottle in order for the BBQ to operate safely and efficiently. Ensure that a 100% propane (LPG) refillable gas cylinder currently certified to Australian Standard AS2030.1:2009 is used. Do not use disposable gas cylinders.

PLEASE NOTE THE HOSE AND REGULATOR SUPPLIED WITH THIS BBQ ARE OF AN APPROVED TYPE AND ARE SPECIFICALLY DESIGNED FOR USE WITH YOUR BBQ.

Observe all governing codes and ordinances.

**IMPORTANT:** This installation must conform with all local codes and ordinances. In the absence of local codes, installation must conform with AGA Standard AS4557-2004.

## LP Gas

### LP Gas Pressure Regulator/Hose Assembly Location

Measurements shown are for attaching the LP gas pressure regulator/hose assembly to the enclosure.

