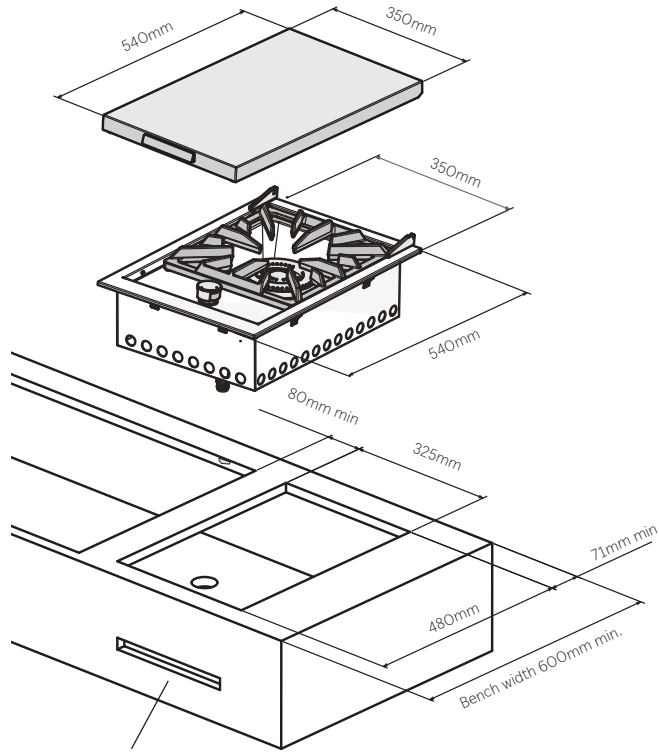
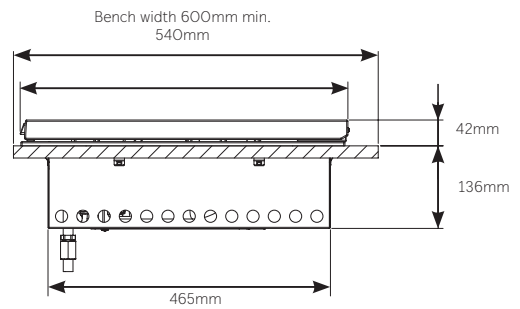
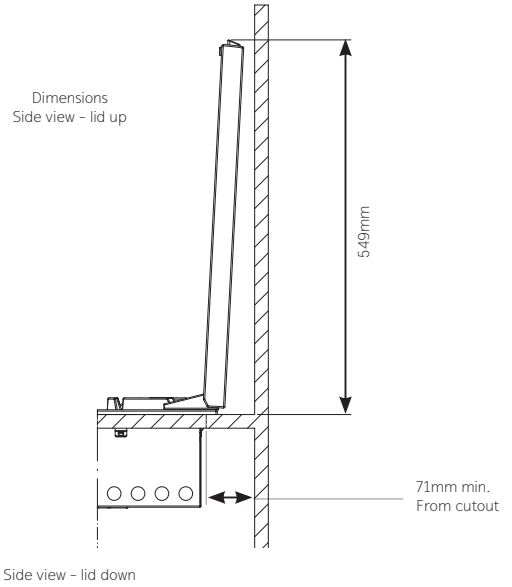


# SIGNATURE PROLINE PRODUCT AND CUT-OUT DIMENSIONS

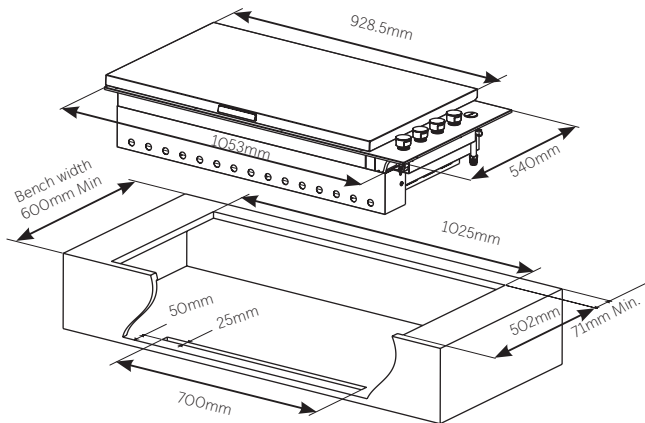
## BSW316SA/BSW318SA



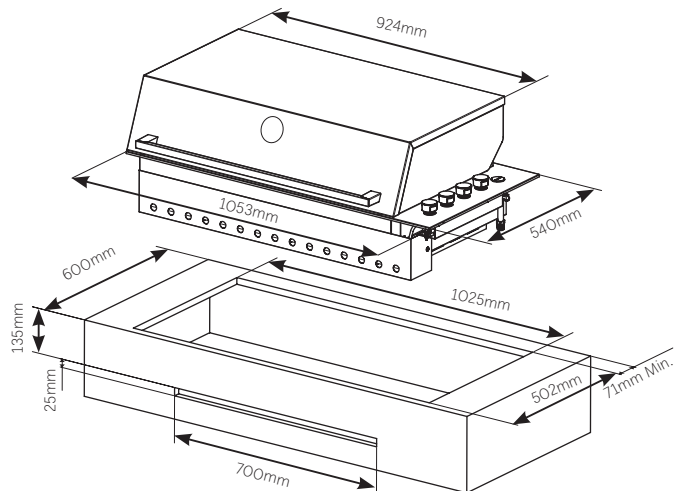
Vent 250mm x 25mm (required when installed separately to barbecue)



## BSL156SA/BSL158SA



## BSH156SA/BSH158SA



Please note: Dimensions to be used as a guide only. All customers MUST refer to the user manual supplied with the product for detailed installation instructions.