



Stainless Steel Single Vertical Door

Model: GFK2101

For added convenience, GrandFire offers Built-in Access Doors that fit perfectly under your built-in grills. The stainless steel single vertical access door will allow for entry into an island for the propane tank, gas lines, or whatever else you'd like to store inside your island.



Product Dimension:

543Wx552Hx88D mm

Cut-Out Dimension;

492Wx513Hx530D mm

Packing Dimension:

595x630x123 mm

Weight: 6kg (Gross); 4.6kg (Net)

20ft GP: 520pcs;

40ft GP: 1200pcs;

40ft HQ: 1420pcs;

Innovative Features:

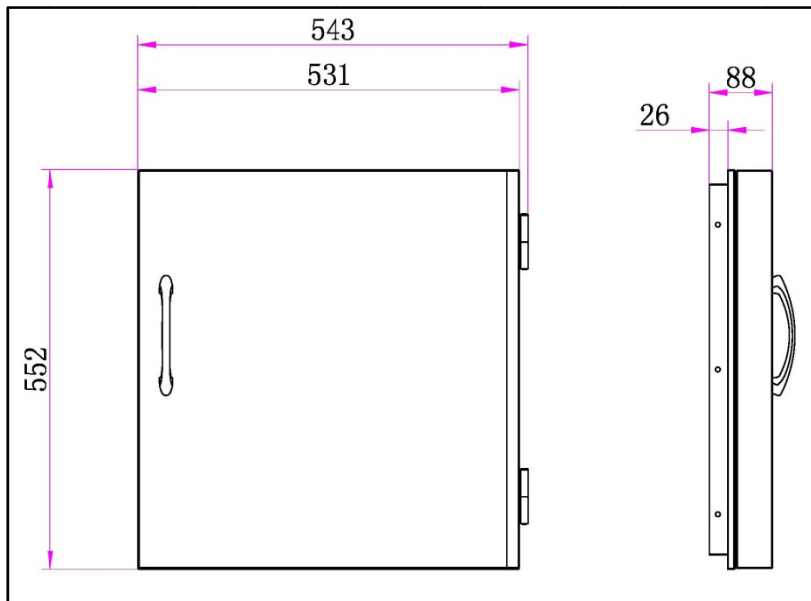
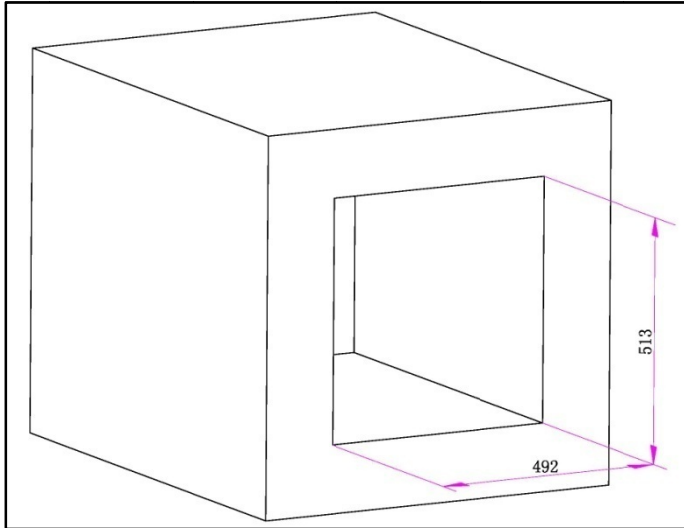
- Professional Style door handle that is chrome plated.
- Full Stainless Steel Construction (443#SS).
- Heavy duty latch for easy closing.
- Rigid welded construction to ensure strength and longevity.

HAULAND



Stainless Steel Single Vertical Door

Model: GFK2101



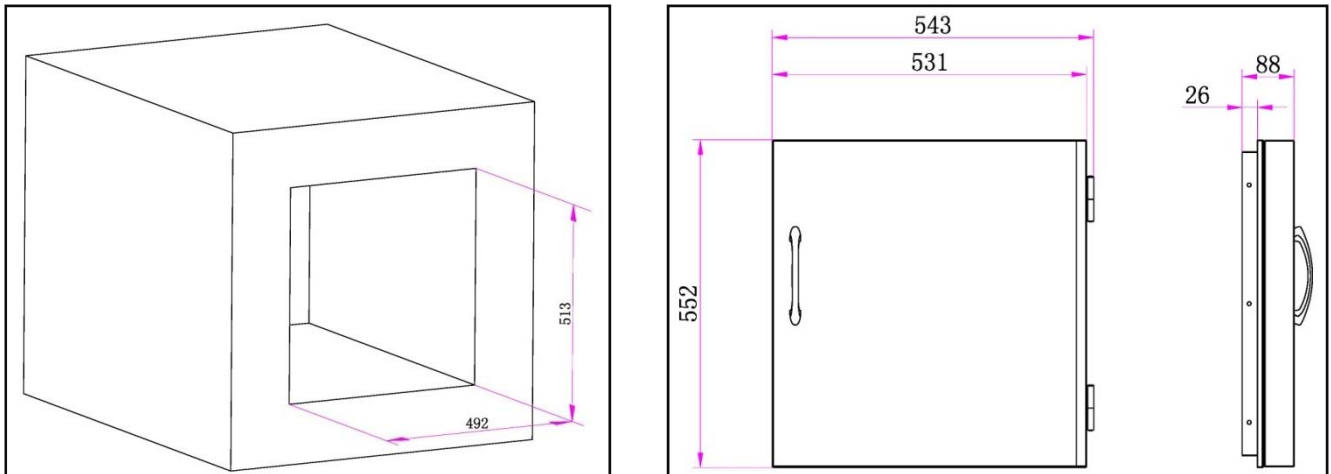
Note:

Cut Dimension: 492x513x530 mm

INSTALLATION INSTRUCTIONS

SINGLE DOOR SPECIFICATIONS: CUTOUT SPECIFICATION

Model: GFK2101



NOTE: The cutout of each corner should be 90° angle in order for the access door to fit properly.

*** Island installation to use minimum of 3 vents (L&R sides, back) providing about 10 sq. in. per vents (typical).**

INSTALLATION INSTRUCTIONS

- 1 Slide frame into opening (see cutout dimensions in chart above).
- 2 Check for proper alignment.
- 3 Using the four slotted holes in the frame as a guide, pre drill four pilot holes on the left & right sides of your island. Secure the unit using screws and anchors suited for the type of cabinet material.
- 4 Install the access door and check for proper alignment of the door and frame.

H AULAND

CARE & MAINTENANCE

All parts of the Professional Single Vertical Door can be cleaned with hot soapy water, rinsed, dried and buffed to a shine with a soft, heavy cloth.

Always try this first, as it is the mildest cleaning procedure. Always rub in the direction of the grain. Use only clean sponges, soft cloths, paper towels, plastic non-metal soap pads for cleaning or scouring as recommended in this section.

Use only soap pads with soap still in them. An empty pad can scratch.

After cleaning, use a stainless steel polish, such as stainless cleaner applied to the door and handle surfaces. To touch up noticeable scratches in the stainless steel, sand very lightly with wet 100 grit emery paper in the direction of the grain.

NOTE: Stainless steel tends to corrode in the presence of chlorides and sulfides, especially in coastal areas. To ensure corrosion prevention, wash all stainless steel surfaces every 3-4 weeks with fresh water and stainless cleaner.

